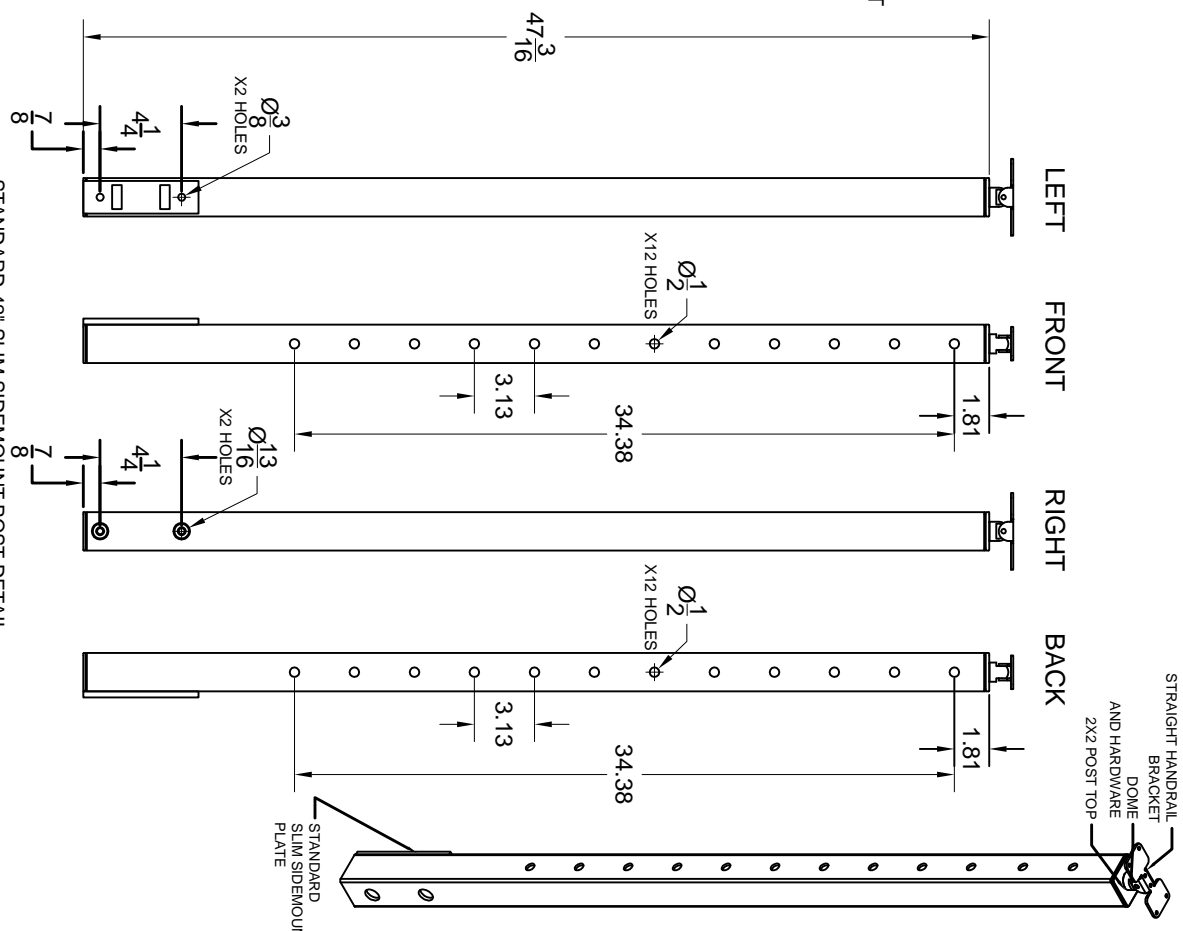
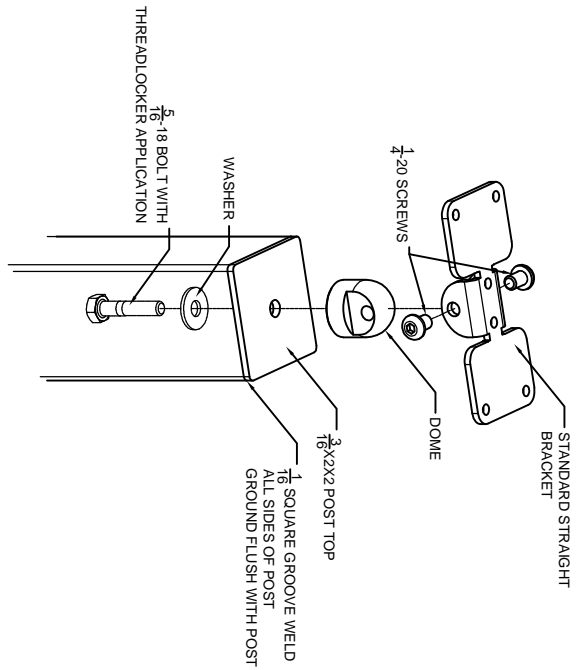
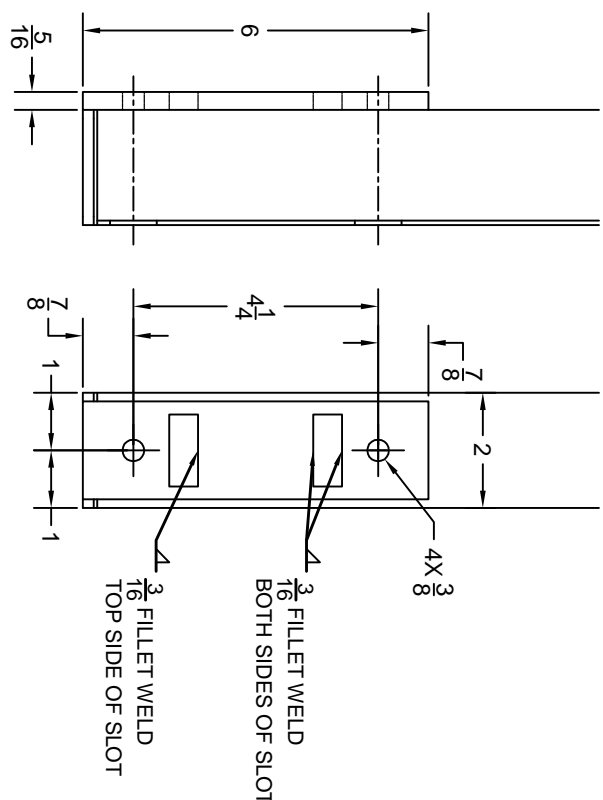


3

2

1



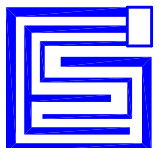
POST TYPE SS 2X2X1/4GA SECTION MODULUS 0.369
 POST HEIGHT 36" 39" 42" TUBE BENDING M=13200#
 MAX HORIZ TOP LOAD 350# 325# 300# fs = 35800 > 80,000
 TOP LOAD @ FAILURE 800# 750# 700#

NOTE: DESIGN LOADS ARE LIMITED BY FLOOR BASE MATERIALS AND FASTENER CONNECTION IN FLOOR MATERIALS. IT IS THE RESPONSIBILITY OF THE INSTALLER TO VERIFY THE CONNECTIONS WITH THE LOCAL DESIGN PROFESSIONAL.

TITLE STAINLESS STEEL SLIM SIDEMOUNT POST LOAD ENGINEERING TEST			
SIZE B	SCALE NTS	DWG NO	REV
DRAWN JJJ			



Douglas L. Graham
 01/14/19



GRAHAM ENGINEERING SERVICES
 By Graham Enterprises, Inc.
 28643 CO. RD. 50
 Nappanee, Indiana, 46550 574-773-0415
 EMAIL: dougraham@maplenet.net

3

2

1