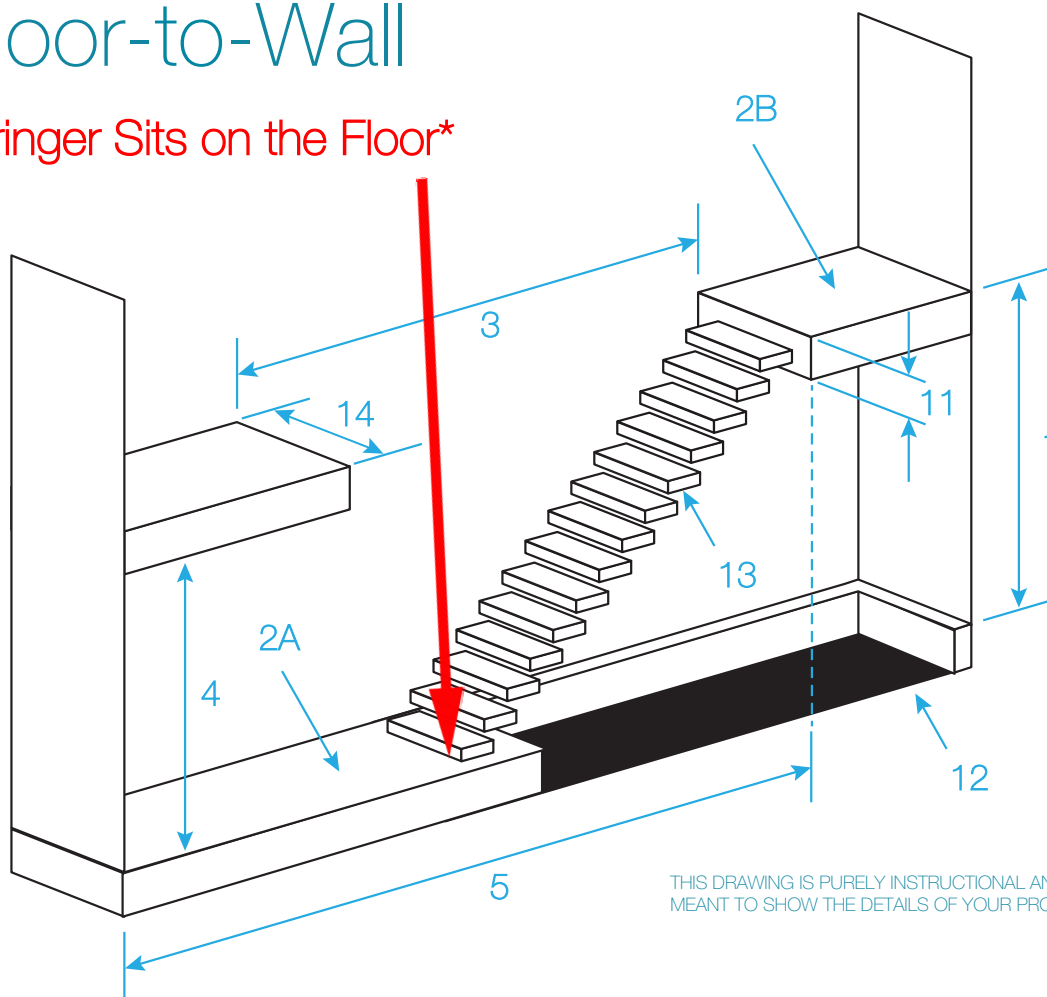


VIEWRAIL FLIGHT TECH FORM

Straight Stringer Floor-to-Wall

Stringer Sits on the Floor*



THIS DRAWING IS PURELY INSTRUCTIONAL AND IS NOT MEANT TO SHOW THE DETAILS OF YOUR PROJECT.

***NOTE:** THAT THERE ARE 2 DIFFERENT STRINGER CONFIGURATIONS REPRESENTED IN THIS DOCUMENT. PLEASE INSURE TO FILL OUT THE CORRECT ONE, ACCORDING TO YOUR PROJECT.

Name or Location of Stair System (if Multiple Systems Exist) _____

REQUIRED INFO

1. Subfloor to Subfloor _____	6. Subfloor Material Wood Concrete
2. Finished Floor Thickness A. Downstairs _____ B. Upstairs _____	7. Mounting to Subfloor Finished Floor
3. Ceiling Opening _____	8. Top Tread Flush Yes No
4. Ceiling Height _____	9. Sheetrock Thickness _____
5. Space Constraint _____	10. Tread Width _____

IF APPLICABLE

11. Header Vertical Dimension less than 10"?	Yes No
12. Does opening exist under stairs?	Yes No
13. Do you want Tread Bracket Covers?	Yes No
14. Ceiling Opening _____	

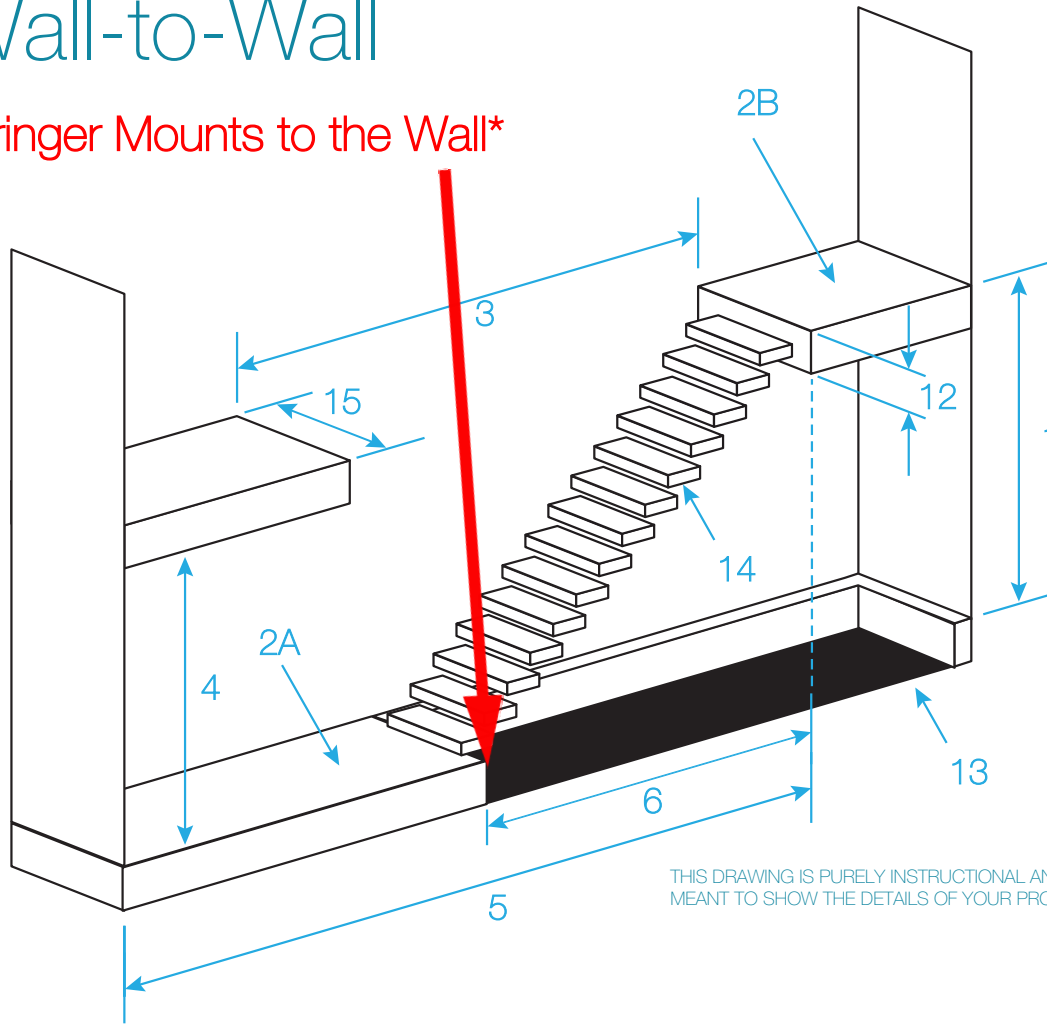


IF YOU HAVE MULTIPLE STAIR SYSTEMS, PLEASE FILL ONE OF THESE OUT FOR EACH.

VIEWRAIL FLIGHT TECH FORM

Straight Stringer Wall-to-Wall

Stringer Mounts to the Wall*



THIS DRAWING IS PURELY INSTRUCTIONAL AND IS NOT MEANT TO SHOW THE DETAILS OF YOUR PROJECT.

***NOTE:** THAT THERE ARE 2 DIFFERENT STRINGER CONFIGURATIONS REPRESENTED IN THIS DOCUMENT. PLEASE INSURE TO FILL OUT THE CORRECT ONE, ACCORDING TO YOUR PROJECT.

Name or Location of Stair System (if Multiple Systems Exist) _____

REQUIRED INFO

1. Subfloor to Subfloor _____	7. Subfloor Material Wood _____ Concrete _____
2. Finished Floor Thickness A. Downstairs _____ B. Upstairs _____	8. Mounting to Subfloor _____ Finished Floor _____
3. Ceiling Opening _____	9. Top Tread Flush Yes _____ No _____
4. Ceiling Height _____	10. Sheetrock Thickness _____
5. Space Constraint _____	11. Tread Width _____
6. Header to Header _____	

IF APPLICABLE

12. Header Vertical Dimension less than 10"?	Yes _____ No _____
13. Does opening exist under stairs?	Yes _____ No _____
14. Do you want Tread Bracket Covers?	Yes _____ No _____
15. Ceiling Opening _____	



IF YOU HAVE MULTIPLE STAIR SYSTEMS, PLEASE FILL ONE OF THESE OUT FOR EACH.